



## IMPORTANT SAFETY PRECAUTIONS

**Basic safety precautions should be followed when using electrical appliances, especially when there are children.**

**In order to avoid electric shock follow the following rules:**

- Before cleaning the electrical appliance, unplug it from the mains.
- Do not use the electrical appliance in a bath or shower. Do not drop it into water or other liquids.

**Do not touch an electrical appliance that has fallen into the water! Unplug it immediately.**

**In order to prevent a burn, fire, or injury:**

- Use this appliance only for the purposes described in this operations manual. Do not use devices that are not recommended by the manufacturer.
- Never leave this electrical appliance plugged in unattended.
- When an electrical appliance is used by children or persons with disabilities, it must be carefully supervised.
- Never operate the electrical appliance if the cord or plug is damaged.
- Keep the cord away from hot surfaces. Do not pull or bend the cord. Do not wrap it around the electrical appliance.
- Do not drop the electrical appliance. Do not insert foreign objects into its holes.
- Make sure that the blades are properly adjusted before using this appliance.

**Warranty obligations:**

1. The manufacturer guarantees the operation of the product under the conditions of transportation, storage, and operation.
2. The warranty covers all damage to the product probably caused by a manufacturing defect.
3. The warranty does not cover mechanical damage to the product.
4. The warranty period of the product is 12 months from the date of sale.

**The warranty does not cover the following products:**

- Products, if malfunctions in them have arisen as a result of the violation of the rules of operation and transportation.
- Damage caused by overuse, improper handling, improper storage or maintenance, and improper blade removal.
- Components worn out during operation and having a limited service life (POWER CORDS, brushes, plastic leashes, etc.)
- Damage caused by getting foreign objects, substances, and insects in.
- Self-repair of the product or repair carried out in non-specialized workshops.

The consumer loses the warranty service rights in the following cases:

- at the expiration of the warranty period;
- in the presence of mechanical damage to the outer parts of the product;
- in case of violation of the rules of operation.

Cleaning and lubrication of products and sharpening of blades after any period of operation are not included in the cost of warranty service.

You must show the documents certifying the purchase of this product, this product manual with the signature of the seller, and the stamp of the trading organization to get the warranty repair.

« \_\_\_\_\_ » \_\_\_\_\_ 20\_\_ year

« \_\_\_\_\_ » \_\_\_\_\_ 20\_\_ year

\_\_\_\_\_  
Seller Signature

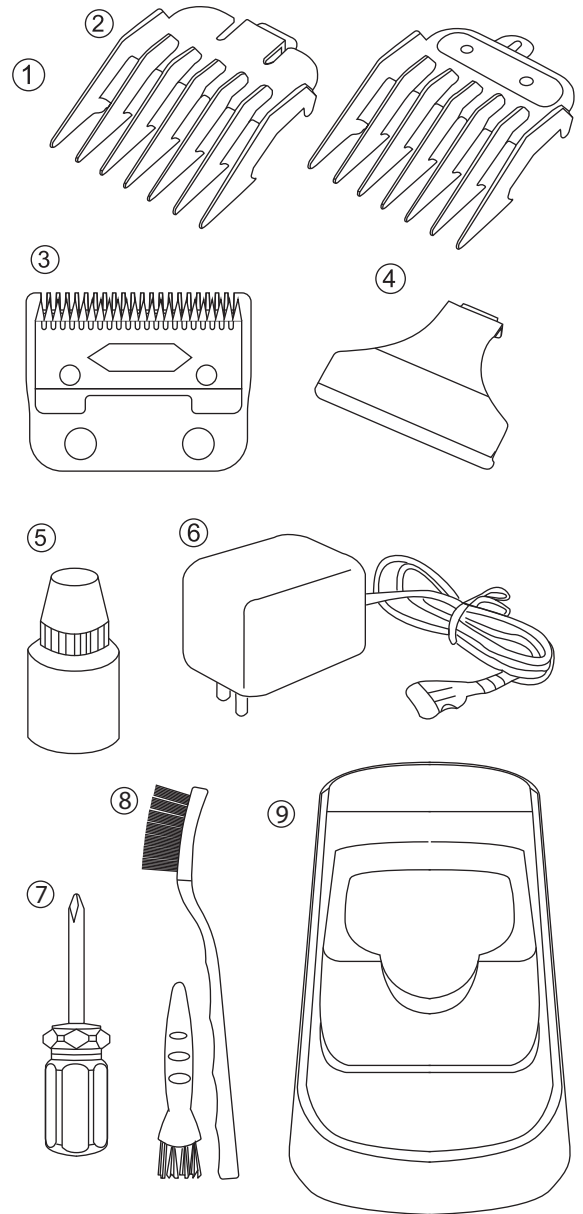
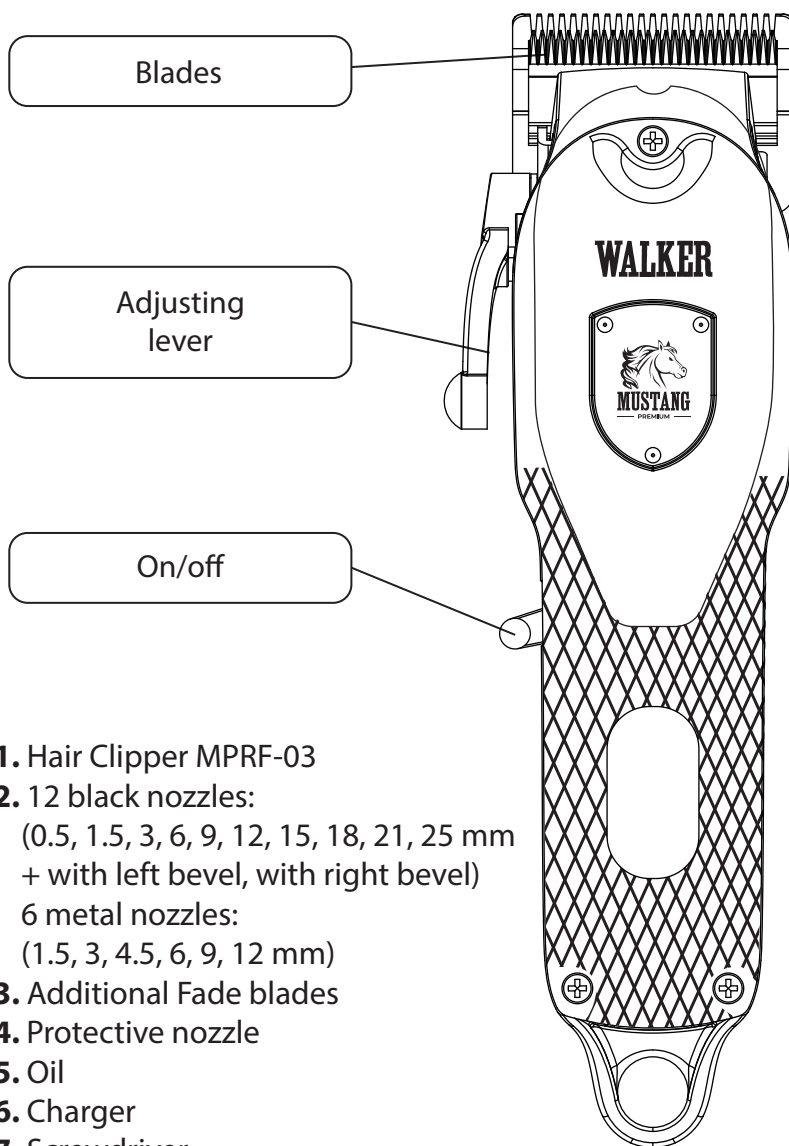
\_\_\_\_\_  
Seller Signature

Place for stamp

Place for stamp

# MUSTANG

## Hair clipper WALKER MPRF-03

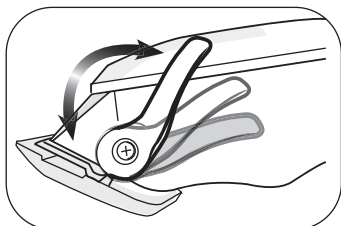


- 1. Hair Clipper MPRF-03
- 2. 12 black nozzles:  
(0.5, 1.5, 3, 6, 9, 12, 15, 18, 21, 25 mm  
+ with left bevel, with right bevel)
- 6 metal nozzles:  
(1.5, 3, 4.5, 6, 9, 12 mm)
- 3. Additional Fade blades
- 4. Protective nozzle
- 5. Oil
- 6. Charger
- 7. Screwdriver
- 8. Cleaning brushes, 2 pieces
- 9. Charging base

### TECHNICAL SPECIFICATIONS

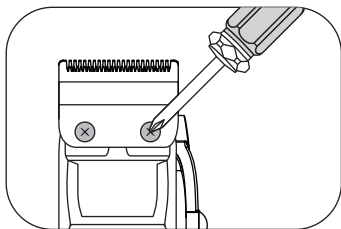
Hair clipper	Motor	Working voltage: 5V Motor rotation speed: 7500 rpm
	Battery	Battery capacity: 2500 mAh Charging time: 180 min Working time: 240 min
Adapter		Input: 100 – 200 V, 50 – 60 Hz Output: 5 V, 1000 MA

**Attention! Before first use, the device must be charged within 3-4 hours.**



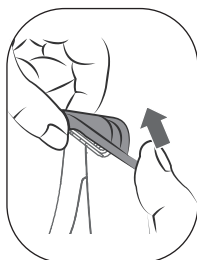
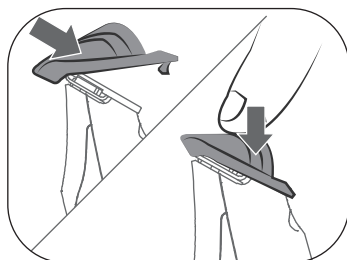
### Blade extension adjustment

Blade extension adjustment is carried out using the adjusting lever and has a range of 0.3 to 2 mm.



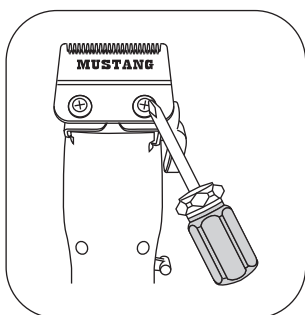
### Installing/removing the cutting head

To remove, unscrew the fixing screws with a screwdriver (which comes with the kit). Remove the blades. Installation is carried out in reverse order.



### Installing/removing the comb attachment

- Align the cutting head and the front notch of the comb attachment first.
- Then press down firmly on the comb and you would hear a distinctive sound.
- To remove the attachment, push the back of the attachment away from the device.



### Blade adjustment and cleaning process:

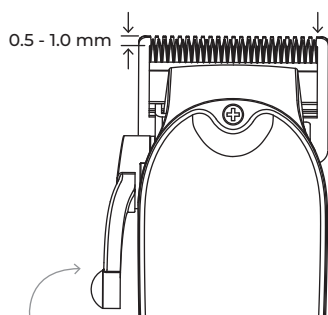
1. Unscrew the screws that fix the blades. This should be done with a screwdriver, and not with other improvised tools like scissors. Otherwise, both can be damaged.

2. Move the blade adjustment lever to the lower position. Remove the blades, and clean with the brush that comes with the kit. If they are heavily dirty, then cover them with a special cleaning spray.

3. Put the blades back in place and make adjustments. To do this, tighten the clamping bolts so that the plates can be moved.

4. Move the movable blade so that its rightmost tooth extends beyond the side plane of the fixed blade. At the same time, the leftmost teeth must match. The distance between the tops of the teeth should be approximately 1 mm, but definitely not less than 0.5 mm.

5. Align the blades so that their teeth are parallel to each other (slight non-parallelism is allowed but this does not affect the quality of the cut). Tighten the screws all the way, but not too hard so as not to strip the threads.



\* Adjustment lever the blade departure should be in the lower position

# MUSTANG

After cleaning the device and installing the blades, it must be lubricated. For this, you need to drip a few drops of oil, which comes with the device or is sold separately. Then you need to turn on the device for 10 seconds so that the lubricant is evenly distributed over the blades.

If there are any problems with the blades from the very beginning, literally from the first haircut, then disassembling the device is not necessary. It is enough to clean the blades with a brush, loosen the bolts a little, and then align them. After that, tighten the bolts to the stop. If the adjustment does not help and the device still cuts badly, we ask you to contact an authorized service center to determine the reasons for the incorrect operation of the device.

## Use of the docking station

- 1) Can be used directly on the desktop.
- 2) Can be hung on the wall.

When using the docking station in a hanging position, first secure the mounting part to a stationary object with the bolts, and then align the groove on the back of the docking station and secure it with a downward movement.

## Warning

1. Do not disassemble the device yourself.
2. This device is not washable with water. Please keep it away from the wet environment when using it.
3. The device should only be cleaned with a material slightly soaked with water or mild soapy water.
4. Do not charge the device at temperatures above 40°C or below 0°C.
  - The device will become slightly warm during use or charging, this is not a fault.
  - Please use the original charging cord.

## Fault recovery

If the device is not working or not charging correctly, please check the following:

- Check for power availability at the power outlet by plugging in another device
- Make sure the device is not connected to a power source when it automatically turns off
- Make sure that the contacts between the device and the power adapter are clean and free of hair or other contaminants.
- Make sure the cutting head is installed correctly
- Make sure your device is fully charged

## Disposal

At the end of the device's life, do not dispose of it with household waste. Dispose of the device properly to help protect the environment.

- Before throwing the device away, the battery must be removed.
- When removing the battery, the device must be turned off.
- The battery must be disposed of in a special way.

## Disposal of the used battery.

The built-in rechargeable battery contains substances that may pollute the environment. Before disposing of the device, it is recommended that you contact your dealer or an authorized service center to dispose of the battery.