



IMPORTANT SAFETY PRECAUTIONS

Basic safety precautions should be followed when using electrical appliances, especially when there are children.

In order to avoid electric shock follow the following rules:

- Before cleaning the electrical appliance, unplug it from the mains.
- Do not use the electrical appliance in a bath or shower. Do not drop it into water or other liquids.

Do not touch an electrical appliance that has fallen into the water! Unplug it immediately.

In order to prevent a burn, fire, or injury:

- Use this appliance only for the purposes described in this operations manual. Do not use devices that are not recommended by the manufacturer.
- Never leave this electrical appliance plugged in unattended.
- When an electrical appliance is used by children or persons with disabilities, it must be carefully supervised.
- Never operate the electrical appliance if the cord or plug is damaged.
- Keep the cord away from hot surfaces. Do not pull or bend the cord. Do not wrap it around the electrical appliance.
- Do not drop the electrical appliance. Do not insert foreign objects into its holes.

Warranty obligations:

1. The manufacturer guarantees the operation of the product under the conditions of transportation, storage, and operation.
2. The warranty covers all damage to the product probably caused by a manufacturing defect.
3. The warranty does not cover mechanical damage to the product.
4. The warranty period of the product is 12 months from the date of sale.

The warranty does not cover the following products:

- Products, if malfunctions in them have arisen as a result of the violation of the rules of operation and transportation.
- Damage caused by overuse, improper handling, improper storage or maintenance, and improper blade removal.
- Components worn out during operation and having a limited service life (POWER CORDS, brushes, plastic leashes, etc.)
- Damage caused by getting foreign objects, substances, and insects in.
- Self-repair of the product or repair carried out in non-specialized workshops.

The consumer loses the warranty service rights in the following cases:

- at the expiration of the warranty period;
- in the presence of mechanical damage to the outer parts of the product;
- in case of violation of the rules of operation.

Cleaning and lubrication of products and sharpening of blades after any period of operation are not included in the cost of warranty service.

You must show the documents certifying the purchase of this product, this product manual with the signature of the seller, and the stamp of the trading organization to get the warranty repair.

« _____ » _____ 20__ year

« _____ » _____ 20__ year

Seller Signature

Seller Signature

Place for stamp

Place for stamp

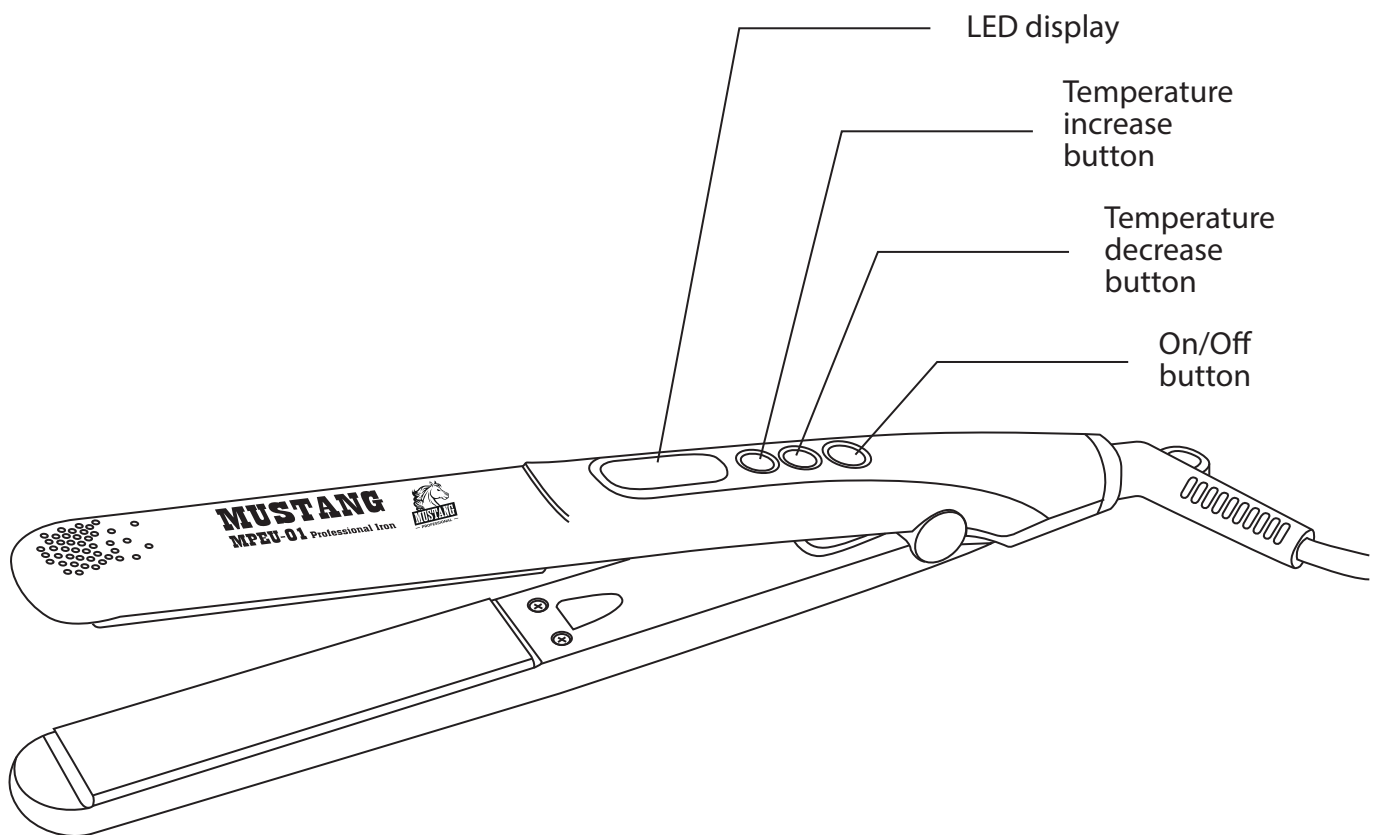
MUSTANG

Hair Tongs MPEU-01

Note: please, read this operations manual before using the hair straightener.

Warning: do not use a hair straightener in a bathroom, shower, or high-humidity areas.

SCHEME AND DESCRIPTION OF THE HAIR STRAIGHTENER



Technical specifications:

- Web length/width: 26 x 110 mm
- Web coating: ceramic spraying
- Ionization function
- Heating temperature: 100-230 C
- Power: 60W
- Cord length: 2.8m
- Weight: 360 g



OPERATIONS MANUAL

Before connecting the device to the power grid, make sure that its specifications correspond to the characteristics of the power grid.

Turning on: place the hair straightener on a flat and heat-insensitive surface, and connect the cord to the power source.

Turn on the device by pressing the power button, and hold for a few seconds. The device will start to heat up. Press the temperature switch button to select the one you need. All MPEU models are equipped with a mechanical temperature switch in the form of buttons, thanks to which you can set the temperature you wish, from 100 to 230°C.

Hair should be dry and well combed. Separate the section of hair you want to process and place it between the heated plates. To avoid burns, do not touch the heated surface.

When finished, turn off the device by pressing the power button.

Carefully remove the plug from the outlet. The device would cool down gradually. Do not put away a device still being hot.

Do not use the device on hair that has been treated with hairspray or styling mousse, as hair may stick to the plates, making it difficult to obtain the desired effect and may damage the device.

Device care

- Clean the device regularly.
- Unplug the device from the power grid and let it cool down.
- Wipe the device with a soft (slightly soaked if necessary) material or sponge.
- Do not use hard detergents, solvents, or abrasives.
- Make sure that the device remains dry after cleaning.

Safety precautions:

- Use the device for its intended purpose.
- Do not touch the heating part with your hands while the device is heating up to avoid burns.
- Do not leave the switched-on device unattended.
- Turn it off after use.
- Regularly check the condition of the power cord. Do not use the device if the mains plug, mains cord, or the device itself is damaged.
- Avoid getting water into the device. Do not use it near a bath, sink, or any container filled with water.
- Do not handle the device with wet hands.
- Do not allow children or people with physical or mental disabilities to use the device without your supervision.
- To remove the appliance from the power outlet, do not pull on the mains cord or on the device itself; to do this, grasp the plug.
- Keep the device away from places with high humidity. The proximity of water is a dangerous factor, even if the device is turned off.
- In the event of a device fault, do not attempt to repair it yourself, contact a repair shop.

MUSTANG

ATTENTION!

The temperature controller provides a wide range of heating temperatures, allowing the plates to be heated to a temperature appropriate to the structure and type of hair to be modeled. To select the temperature, use the table:

Temperature °C	Hair type
100 – 130°C	Dyed, thin hair
130 – 160°C	Normal hair type
160 – 190°C	Thick unruly hair
190 – 230°C	Coarse hair

ATTENTION! Do not rinse the device under running water or immerse it in the water

Fault	Possible reason	Fault recovery
The device does not turn on	The device is not connected to the power grid	Plug into the power outlet
	The operating mode of the device does not correspond to the working one	Use the temperature controller to set the required heating temperature for the plates.
	The power cord or plug is damaged	
A foreign smell appeared during the operation of the device	Some parts of the device have been coated with a protective covering that may have a foreign smell. This is not a fault.	Turn off the appliance, and wait until it cools down. Wipe the plates with a wet material. Repeat the procedure if necessary.